

**GALIZIA**  
PICK & CARRY CRANES

**GF250**  
(25.0t x 1.4m)

**A massive 25t capacity of battery powered lifting power for heavy duty flexible lifting**



The GF250 features front wheel hydraulic steering and a maximum lifting height of 15m when fitted with its optional searcher hook.

**Technical Specifications**

Capacity	25t x 1.4m
Max height	15m (with searcher hook)
Max working radius	8.4m
Max lifting height	11.8m
Chassis dimensions	5360 (l) x 2420 (w) x 2550 (h) mm
Weight	26,000kg
Boom length	5.61 - 12.6m
Boom type	3 section hydraulic, box boom
Derricking angle	-5° to 55°
Steering	front hydraulic
Tyres	2 solid rear, 4 solid front
Electric power	30kW
Power source	96v rechargeable battery
Travel speed	6km/h

**Standard Equipment**

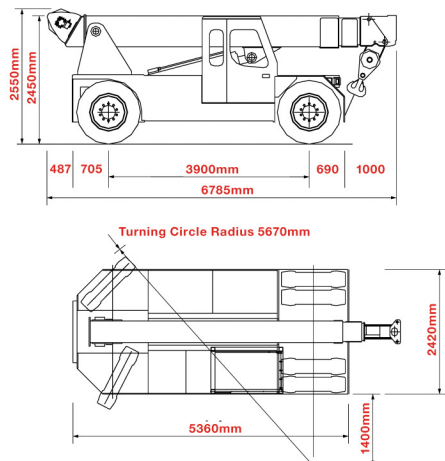
Digital safe load indicator with display, proportional distributor joystick-controlled, audio-visual overload alarm, reversing alarm, seat and seatbelt sensor, overload warning lamps

**Optional Equipment**

Full 6-fall winch system, hook block stop, radio remote control, searcher hook, hydraulically extending searcher hook, low marking tyres



**Elevations**



**Rated Loads**

